

G9WD-RH SST

Height: 29.8" Width: 8.1" Depth: 20.0"
(75.7cm) (20.6cm) (50.8cm)



- Weight driven technology delivers unparalleled accuracy in portion controlled coffee grinding, with three programmable batch sizes
- During grinding, the coffee type and selected batch size is communicated to the Smart Funnel
- Works with all types of brewers (both BrewWise and non-BrewWISE), from 12 cup brewers to satellite/systems brewers
- A BrewWISE brewer will read the information in the Smart Funnel, adjust the brew batch size accordingly, and brew the ideal batch of coffee
- Easy-to-use front-loading bean hoppers allow quick access for bean replenishment and cleaning
- USB port for easy programming
- The G9WD can also function as a time-based grinder should need arise
- LCD alphanumeric display shows status, programming parameters and diagnostics
- Precision grinding burrs consistently deliver the specified quality grind, and have a four year warranty
- PROP 65 Warning Decal included in packaging with equipment

Agency:



Specifications

Product #: 40700.0001

Hopper Capacity: 6.00 lbs (2.722 kgs)

Interface: Wireless

Finish: Stainless

Hoppers: One

Additional Features

Electrical & Capacity

Volts*	Amps	Watts	Cord Attached	Plug Type	8oz cups/hr 236ml cups/hr	Input H ₂ O Temp.	Phase	# Wires plus Ground	Hertz
120	11	1320	Yes	NEMA 5-15P	-	60°F (15.5°C)	1	2	60

*When a BUNN is machine rated 120/208-240V, 120/208V or 120/240V, the higher voltage is the supply voltage needed to power the machine. The 120V is there to supply power to some components rated 120V in the machine, but it is not the supply voltage and would not power the machine if the machine is marked with the before mentioned ratings.

Plumbing Requirements

PSI	kPa	Fitting Supplied	Water Flow Required (GPM)
-	-	-	-

CAD Drawings

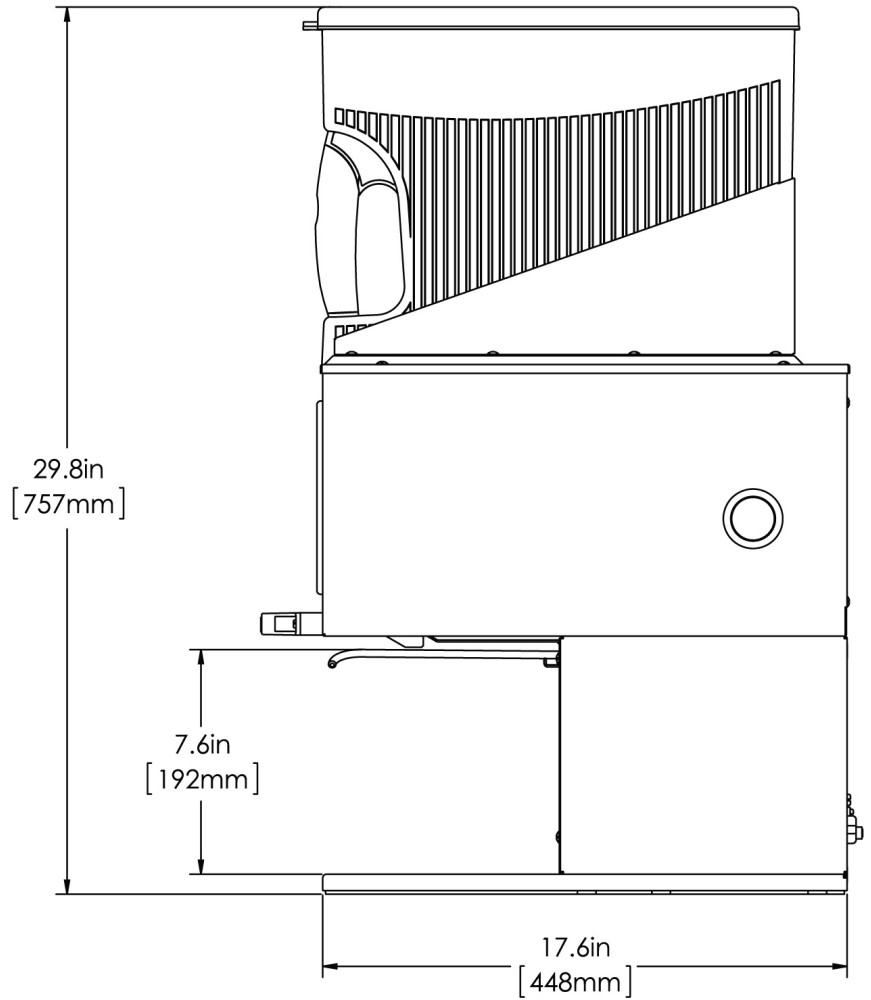
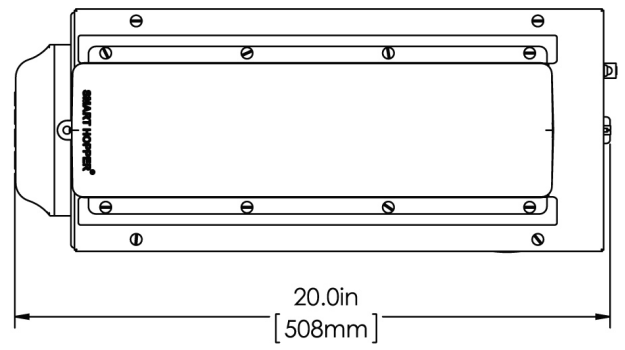
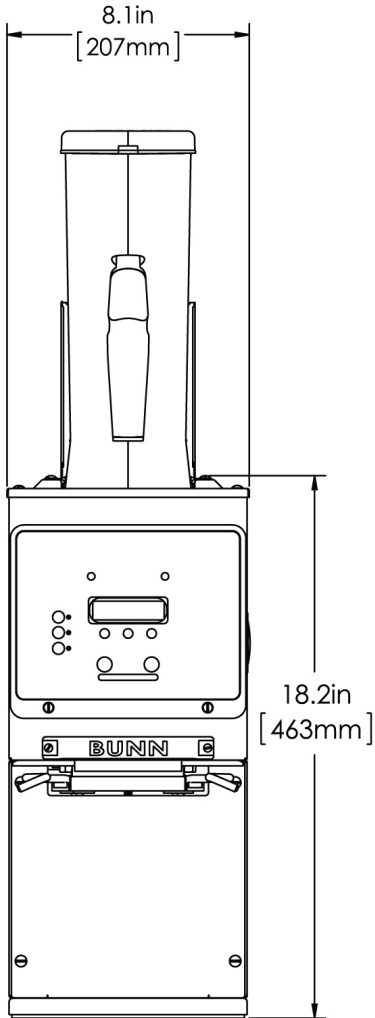
2D	Revit	KLC
●		

WARNING: This product can expose you to chemicals including Bisphenol A (BPA), which is known to the State of California to cause birth defects or other reproductive harm. For more information go to www.P65Warnings.ca.gov



BUNN® reserves the right to change specifications and product design without notice. Such revisions do not entitle the buyer to corresponding changes, improvements, additions or replacements for previously purchased equipment. For most current specifications and other info visit bunn.com.

Last Updated:
05/13/2024



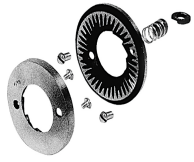
	Unit			Shipping				
	Height	Width	Depth	Height	Width	Depth	Weight	Volume
English	29.8 in.	8.1 in.	20.0 in.	35.5 in.	13.4 in.	23.4 in.	68.550 lbs	6.423 ft ³
Metric	75.7 cm	20.6 cm	50.8 cm	90.2 cm	34.0 cm	59.4 cm	31.094 kgs	0.182 m ³



BUNN® reserves the right to change specifications and product design without notice. Such revisions do not entitle the buyer to corresponding changes, improvements, additions or replacements for previously purchased equipment. For most current specifications and other info visit bunn.com.

Last Updated:
05/13/2024

Related Products & Accessories:G9WD-RH SST(40700.0001)



BURR SET KIT, NEW

Product #: 05861.1002

DECHAFFER PLATE,
SPRING STEEL

Product #: 05995.0000



BURR SET KIT, TURKISH
GRIND

Product #: 11285.1000

CARD ASSY, RECIPE
TRANSFER (BRW)

Product #: 34447.0016



HOPPER RACK, MHG 2
POSITION

Product #: 36760.0000



HOPPER/LID ASSY, MHG

Product #: 36845.0000



CLEANER, GRINDER
GRINDZ

Product #: 39159.0000

CLEANER,GRINDER
GRINDZ 12/CAS

Product #: 39159.0001



BUNN® reserves the right to change specifications and product design without notice. Such revisions do not entitle the buyer to corresponding changes, improvements, additions or replacements for previously purchased equipment. For most current specifications and other info visit bunn.com.

Last Updated:
05/13/2024

Serving & Holding Options: G9WD-RH SST(40700.0001)

Serving and Holding selections are currently unavailable. Please contact your sales representative to find out more information.



BUNN® reserves the right to change specifications and product design without notice. Such revisions do not entitle the buyer to corresponding changes, improvements, additions or replacements for previously purchased equipment. For most current specifications and other info visit bunn.com.

Last Updated:
05/13/2024